

Universal Mount Bimetal Thermometers

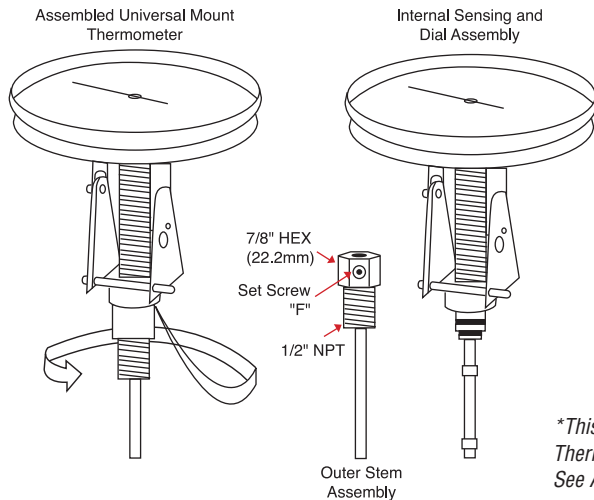
Type 3AU • 5AU

For additional versatility in Bimetal Dial Thermometer installation, Palmer offers Universal Mount models. Universal Mount allows the internal sensing element with dial and case assembly to be disconnected from the outer stem assembly. Once disconnected, the sensing/dial/case assembly can be freely rotated 360° angular degrees without affecting the thermometer's calibration. The Universal Mount serves to:

- Maximize dial legibility by allowing the dial to be oriented independent of the threaded fitting.
- Eliminate use of thermowells in some low velocity and non-corrosive applications*, enabling the stem assembly to stay in line while the dial sensing/dial assembly is removed.
- Allow installation in tight spaces where rotation of the entire case head would not normally be possible.
- Position the dial face and housing to facilitate access to the recalibration nut.



Loosen set screw to allow withdrawal of assembly.



Installation

- 1.) Loosen set screws "F" in mounting nut.
- 2.) The working assembly can now be withdrawn from the stem, if desired.
- 3.) For installation, rotate working assembly until dial face is in desired portion for final adjustment (max rotation 360°). Tighten screws "F".



*This stem is rated at 3000 PSI External Pressure at 100°F.
Thermowells are recommended for high velocity and corrosive applications.
See All Star Bimetal Thermometers on page 5 for dimensional drawings.

How To Order

1. Select Case Style and Dial Size Code.

| Case Style and Dial Size | |
|--------------------------|----------------|
| | All Angle Code |
| 3" Dial | 3AU |
| 5" Dial | 5AU |

2. Select Stem Length Code from the table below.

| Stem Length | | | | | | | | |
|-------------|------|-----|-----|-----|-----|-----|-----|-----|
| Code | 2.5 | 4 | 6 | 9 | 12 | 15 | 18 | 24 |
| Length (in) | 2.5 | 4 | 6 | 9 | 12 | 15 | 18 | 24 |
| Length (mm) | 63.5 | 102 | 152 | 229 | 305 | 381 | 457 | 610 |

Stem lengths up to 60" available on special request. Lengths over 30" have a 3/8" support tubing.

3. Select Temperature Range Code from the table below.

| Temperature Range Codes | | | | | |
|----------------------------|------|------------------|---------------------------|------|-----------------|
| °F Range | °Div | Code | °C Range | °Div | Code |
| -100 to 100 | 2° | -100/100F | -50 to 50 | 1° | -50/50C |
| -40 to 120 | 1° | -40/120F | -50 to 100 | 1° | -50/100C |
| 0 to 200 | 2° | 0/200F | -20 to 120 | 1° | -20/120C |
| 0 to 250 | 2° | 0/250F | 0 to 50 ¹ | 0.5° | 0/50C |
| 25 to 125 ¹ | 1° | 25/125F | 0 to 100 | 1° | 0/100C |
| 50 to 300 | 2° | 50/300F | 0 to 150 | 1° | 0/150C |
| 50 to 400 | 5° | 50/400F | 0 to 200 | 2° | 0/200C |
| 50 to 500 | 5° | 50/500F | 0 to 300 | 5° | 0/300C |
| 150 to 750 ¹ | 5° | 150/750F | 100 to 400 ¹ | 5° | 100/400C |
| 200 to 1000 ^{1,2} | 10° | 200/1000F | 100 to 500 ^{1,2} | 5° | 100/500C |

¹ Minimum stem length for these ranges is 4" in All Angle.

² Recommended for continuous service up to 800°F or 427°C. Can be used for intermittent service up to 1000°F or 500°C.

4. Select Option Code from the table below.

| Options | |
|----------|-------------------------------------|
| Code | Description |
| (PC) | Plexiglass Cover |
| (SPG) | Shatter Proof Safety Glass |
| (1/4NPT) | 1/4" NPT Fixed Thread Fitting |
| (3/8NPT) | 3/8" NPT Fixed Thread Fitting |
| (7/8SN) | 7/8"- 22 Swivel Nut Fitting |
| (1/2NPS) | 1/2" NPSM Union Swivel Nut |
| (3/8D) | 3/8" Diameter Stem with Pointed Tip |

Part Number Example: 3AU40/100C(PC)(1/4NPT)

Register your product at www.palmerwahl.com/register

(800) 421-2853 • FAX (828) 658-0728 • www.palmerwahl.com

PALMER Wahl
INSTRUMENTATION GROUP